

LUCE PER TUTTI





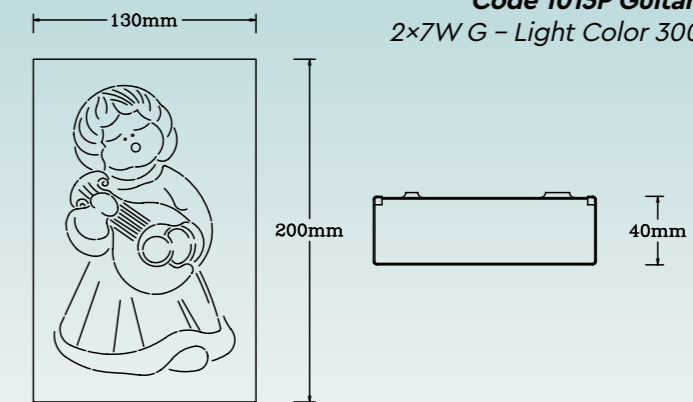
Art. 1013B Applique putto musicista
2x7W G - Colore Luce 3000/6000K - CRI 80 = 1300LM

Code 1013B Guitar Player Kid Wall lamp
2x7W G - Light Color 3000/6000K - CRI 80 = 1300LM



Art. 1013P Applique putto musicista
2x7W G - Colore Luce 3000/6000K - CRI 80 = 1300LM

Code 1013P Guitar Player Kid Wall lamp
2x7W G - Light Color 3000/6000K - CRI 80 = 1300LM





Art. 1014B Applique Bimba

2x7W G - Colore Luce 3000/6000K - CRI 80 = 1300LM

Code 1014B Girl Wall lamp

2x7W G - Light Color 3000/6000K - CRI 80 = 1300LM

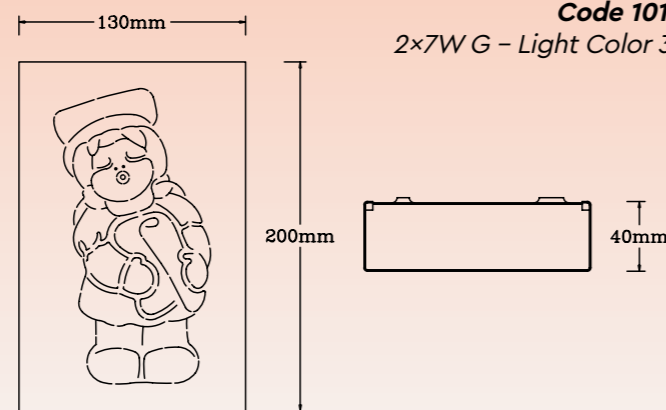


Art. 1014P Applique Bimba

2x7W G - Colore Luce 3000/6000K - CRI 80 = 1300LM

Code 1014P Girl Wall lamp

2x7W G - Light Color 3000/6000K - CRI 80 = 1300LM



Art. 1015B Baby Applique

2x7W G - Colore Luce 3000/6000K - CRI 80 = 1300LM

Code 1015B Baby Wall lamp

2x7W G - Light Color 3000/6000K - CRI 80 = 1300LM

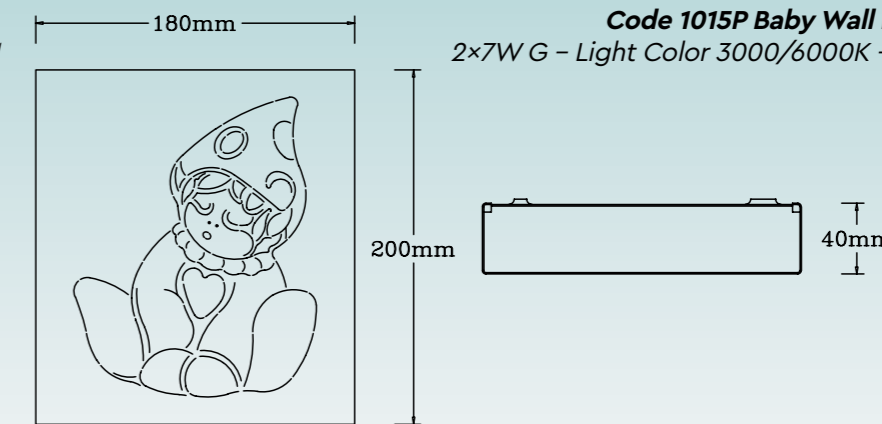


Art. 1015P Baby Applique

2x7W G - Colore Luce 3000/6000K - CRI 80 = 1300LM

Code 1015P Baby Wall lamp

2x7W G - Light Color 3000/6000K - CRI 80 = 1300LM





Art. 1016B Applique Coniglio

2x7W G - Colore Luce 3000/6000K - CRI 80 = 1300LM

Code 1016B Rabbit Wall lamp

2x7W G - Light Color 3000/6000K - CRI 80 = 1300LM

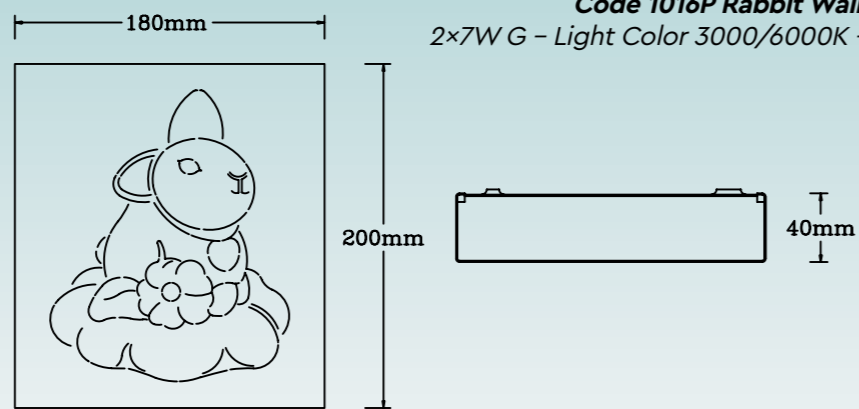


Art. 1016P Applique Coniglio

2x7W G - Colore Luce 3000/6000K - CRI 80 = 1300LM

Code 1016P Rabbit Wall lamp

2x7W G - Light Color 3000/6000K - CRI 80 = 1300LM



Art. 1016P Applique Coristi

2x7W G - Colore Luce 3000/6000K - CRI 80 = 1300LM

Code 1016P Singers Wall lamp

2x7W G - Light Color 3000/6000K - CRI 80 = 1300LM

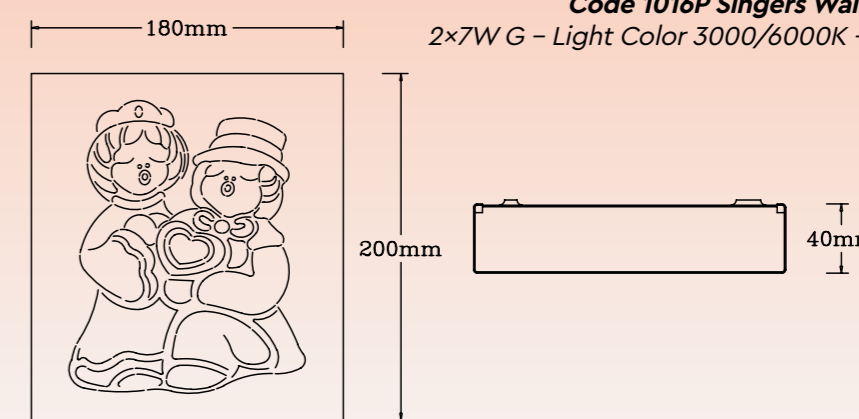


Art. 1016P Applique Coristi

2x7W G - Colore Luce 3000/6000K - CRI 80 = 1300LM

Code 1016P Singers Wall lamp

2x7W G - Light Color 3000/6000K - CRI 80 = 1300LM





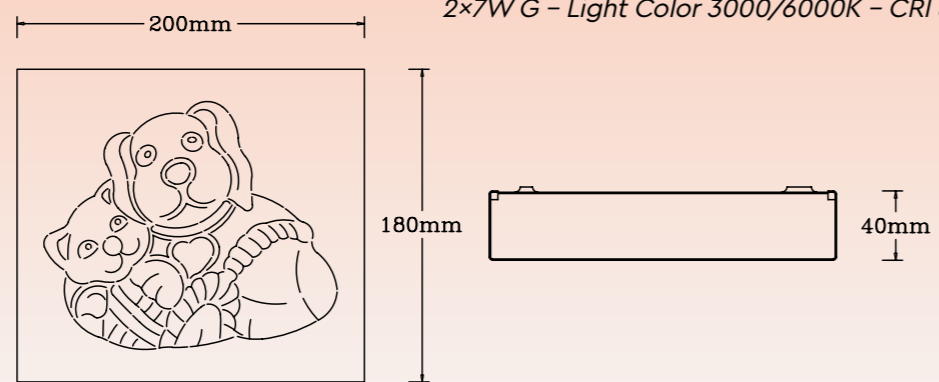
Art. 1018B Applique Cane e Gatto
2x7W G – Colore Luce 3000/6000K – CRI 80 = 1300LM

Code 1018B Dog and Cat Wall lamp
2x7W G – Light Color 3000/6000K – CRI 80 = 1300LM



Art. 1018P Applique Cane e Gatto
2x7W G – Colore Luce 3000/6000K – CRI 80 = 1300LM

Code 1018P Dog and Cat Wall lamp
2x7W G – Light Color 3000/6000K – CRI 80 = 1300LM





Art. 1001 Applique Vasetto

2x7W G - Colore Luce 3000/6000K - CRI 80 = 1300LM

Code 1001 Vase Wall Lamp

2x7W G - Light Color 3000/6000K - CRI 80 = 1300LM

Art. 1001R Applique Vasetto

2x7W G - Colore Luce 3000/6000K - CRI 80 = 1300LM

Code 1001R Vase Wall Lamp

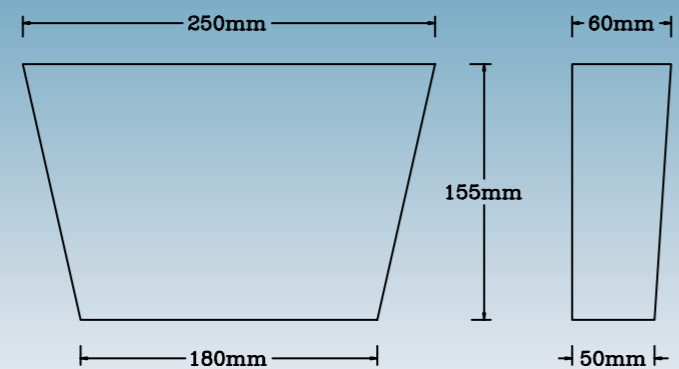
2x7W G - Light Color 3000/6000K - CRI 80 = 1300LM

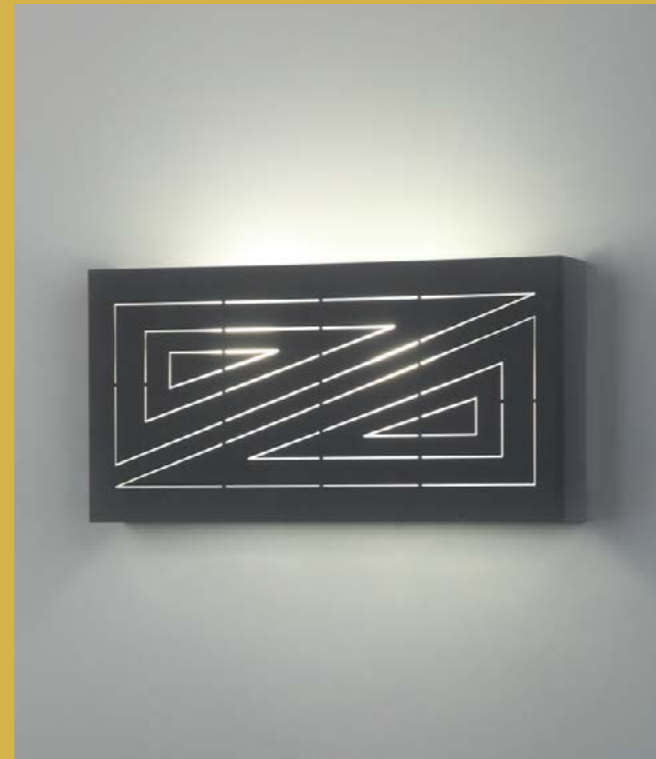
Art. 1001G Applique Vasetto

2x7W G - Colore Luce 3000/6000K - CRI 80 = 1300LM

Code 1001G Vase Wall Lamp

2x7W G - Light Color 3000/6000K - CRI 80 = 1300LM





Art. 1002 Applique Bianca
2x7W G - Colore Luce 3000/6000K - CRI 80 = 1300LM

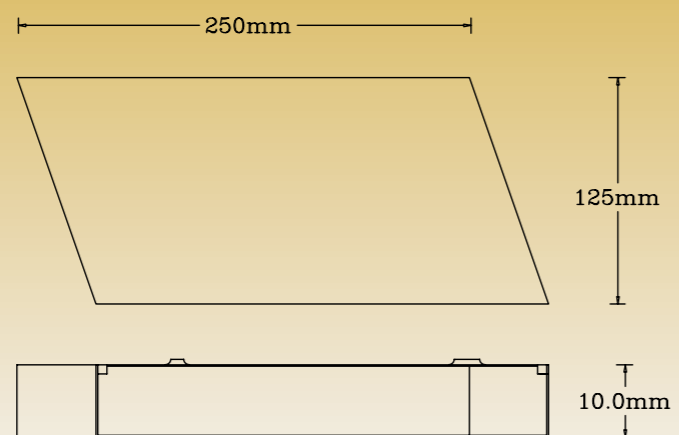
Code 1002 White Wall Lamp
2x7W G - Light Color 3000/6000K - CRI 80 = 1300LM

Art. 1008R Applique Onde
2x7W G - Colore Luce 3000/6000K - CRI 80 = 1300LM

Code 1008R Waves Wall Lamp
2x7W G - Light Color 3000/6000K - CRI 80 = 1300LM

Art. 1009G Applique Triangoli
2x7W G - Colore Luce 3000/6000K - CRI 80 = 1300LM

Code 1009G Triangles Wall Lamp
2x7W G - Light Color 3000/6000K - CRI 80 = 1300LM





Art. 1010G Applique Bianca
2x7W G - Colore Luce 3000/6000K - CRI 80 = 1300LM

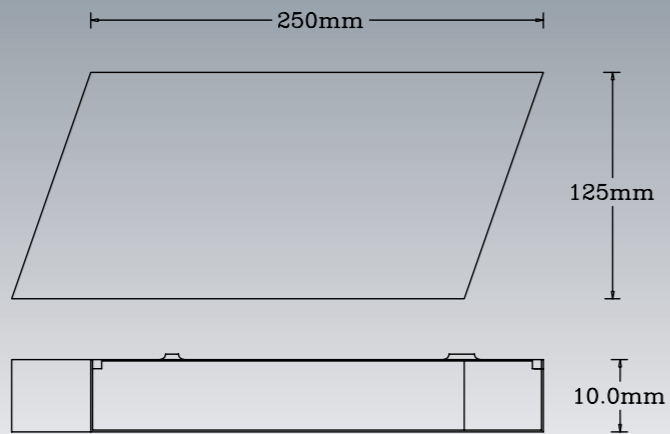
Art. 1008R Applique Onde
2x7W G - Colore Luce 3000/6000K - CRI 80 = 1300LM

Art. 1001G Applique Simfonia
2x7W G - Colore Luce 3000/6000K - CRI 80 = 1300LM

Code 1001G White Wall Lamp
2x7W G - Light Color 3000/6000K - CRI 80 = 1300LM

Code 1008R Waves Wall Lamp
2x7W G - Light Color 3000/6000K - CRI 80 = 1300LM

Code 1001G Symphony Wall Lamp
2x7W G - Light Color 3000/6000K - CRI 80 = 1300LM





Art. 1004 Applique Bianca
2x7W G - Colore Luce 3000/6000K - CRI 80 = 1300LM

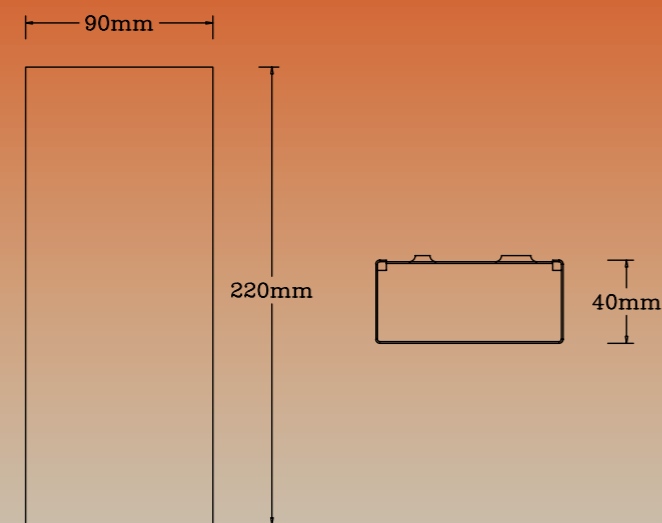
Code 1004 White Wall Lamp
2x7W G - Light Color 3000/6000K - CRI 80 = 1300LM

Art. 1004R Applique Greca
2x7W G - Colore Luce 3000/6000K - CRI 80 = 1300LM

Code 1004R Greek Wall Lamp
2x7W G - Light Color 3000/6000K - CRI 80 = 1300LM

Art. 1004G Applique Greca
2x7W G - Colore Luce 3000/6000K - CRI 80 = 1300LM

Code 1004G Greek Wall Lamp
2x7W G - Light Color 3000/6000K - CRI 80 = 1300LM





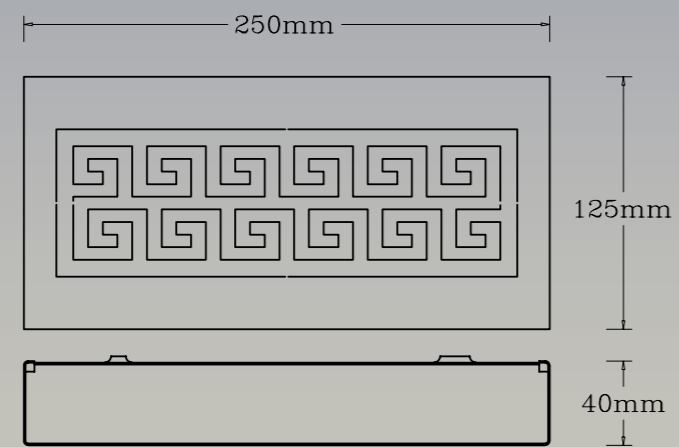
Art. 1005 Applique Bianca
2x7W G - Colore Luce 3000/6000K - CRI 80 = 1300LM

Code 1005 White Wall Lamp
2x7W G - Light Color 3000/6000K - CRI 80 = 1300LM



Art. 1010R Applique Greca
2x7W G - Colore Luce 3000/6000K - CRI 80 = 1300LM

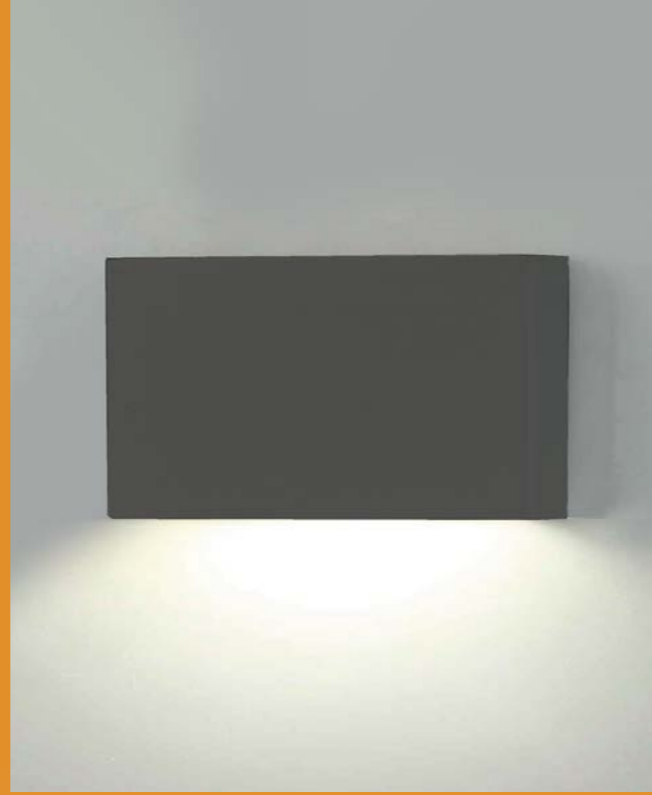
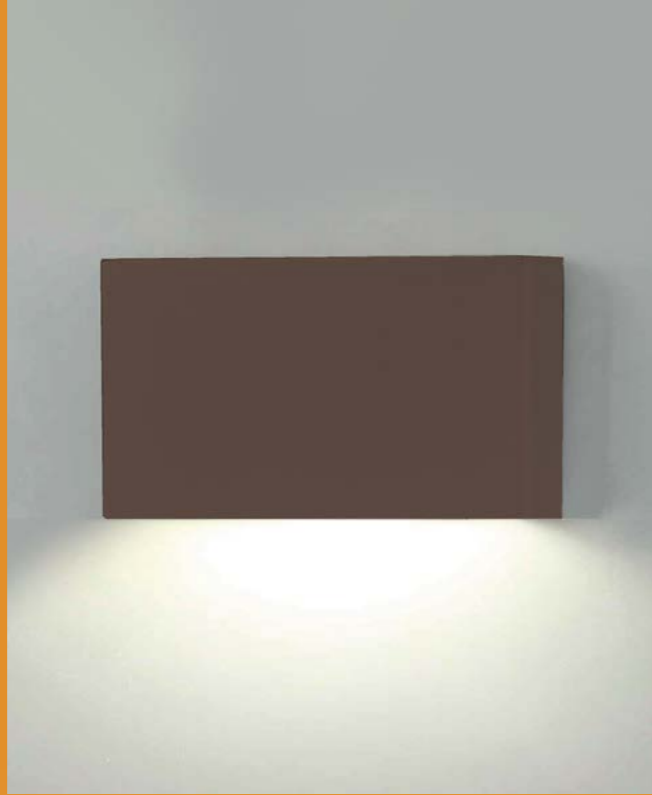
Code 1010R Greek Wall Lamp
2x7W G - Light Color 3000/6000K - CRI 80 = 1300LM



Art. 1011G Applique Rettangoli
2x7W G - Colore Luce 3000/6000K - CRI 80 = 1300LM

Code 1011G Rectangles Wall Lamp
2x7W G - Light Color 3000/6000K - CRI 80 = 1300LM





Art. 1006 Segnapassi

1x7W G - Colore Luce 3000/6000K - CRI 80 = 650LM

Code 1006 Step Light

1x7W G - Light Color 3000/6000K - CRI 80 = 650LM

Art. 1006R Segnapassi

1x7W G - Colore Luce 3000/6000K - CRI 80 = 650LM

Code 1006R Step Light

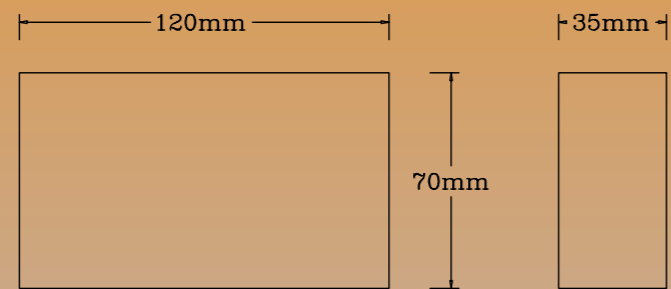
1x7W G - Light Color 3000/6000K - CRI 80 = 650LM

Art. 1006G Segnapassi

1x7W G - Colore Luce 3000/6000K - CRI 80 = 650LM

Code 1006G Step Light

1x7W G - Light Color 3000/6000K - CRI 80 = 650LM





Art./Code 1013D



Art./Code 1013P



Art./Code 1014D



Art./Code 1014P



Art./Code 1001



Art./Code 1001R



Art./Code 1001G



Art./Code 1002



Art./Code 1008R



Art./Code 1009G



Art./Code 1015D



Art./Code 1015P



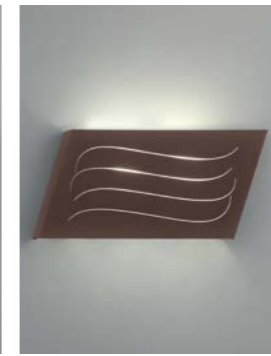
Art./Code 1016D



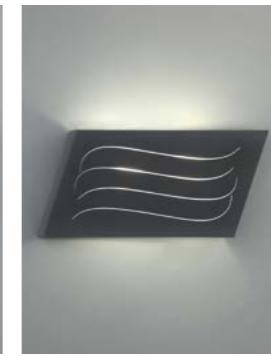
Art./Code 1016P



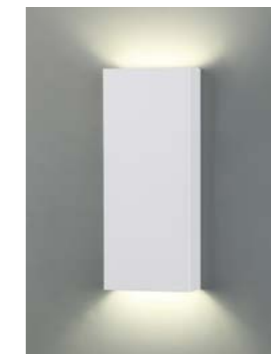
Art./Code 1001



Art./Code 1001R



Art./Code 1001G



Art./Code 1004



Art./Code 1004R



Art./Code 1004G



Art./Code 1016D



Art./Code 1016P



Art./Code 1018D



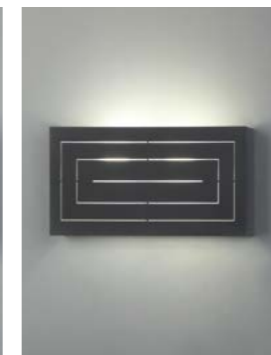
Art./Code 1018P



Art./Code 1005



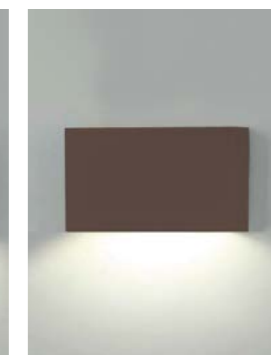
Art./Code 1010R



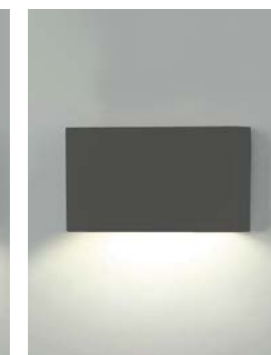
Art./Code 1011G



Art./Code 1006



Art./Code 1006R



Art./Code 1006G

RETRO DI COPERTINA